

Specification Sheet

382.360.050 V ADJUSTABLE SHOWER DRAIN TRIO, LOW

- With removable water trap
- Floor: concrete and tiled
- Liquid membrane, frame: triangular
- Outlet: Ø50mm, horizontal
- Stainless steel: AISI304/EN1.4301

Product Codes

EAN: 5705499138979
VVS Number: 153347710

Specification

Field of Application: Domestic
Floor: Concrete / Tiled
Installation: Corner
Load Class EN1253: K3
Load class EN1253(lbs): K3
Material: AISI 304
Material (EN): EN 1.4301
Maximum Height (mm): 104
Membrane Type: Liquid Membrane
Minimum Height (mm): 96
Number of Inlets: 0
Number of inlets (Inch): 0
Number of Screw Holes: 1
Outlet dia. (Inch): 2
Outlet Diameter (mm): 50
Outlet Direction: Horizontal
Shape: Triangular
Water Seal Height (mm): 50
Weight (kg): 1,69
Weight (lbs): 3,73

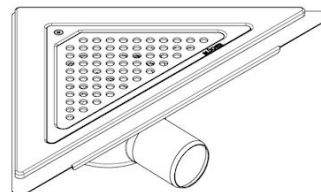
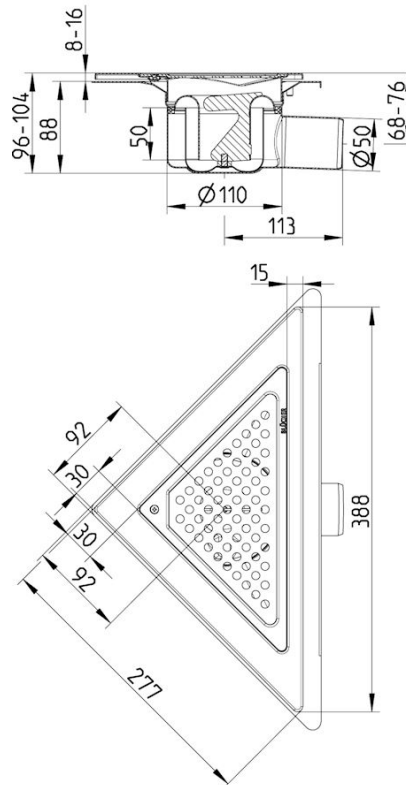
Approvals



AUS - HACCP Region 1



EU - HACCP Region 4



BLÜCHER®